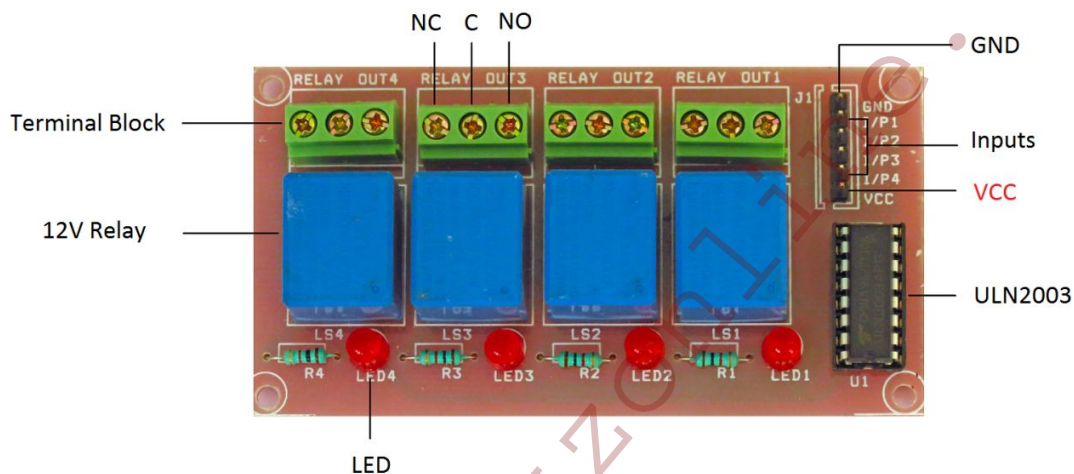


4 Channel 12V Relay Board



- Connect VCC to 12V.
- Inputs 1,2,3 & 4 are used to control the corresponding relays.
- If input is high(5V) , then connection is between C (Common) & NO (Normally Open), else connection is between C (Common) & NC (Normally Closed).
- If Input1 is high, LED1 glows and vice versa.
- This board has a ULN driver which gives better performance compared to transistor drive.
- ULN2003 has seven high current Darlington arrays each containing seven open collector Darlington pairs with common emitters.