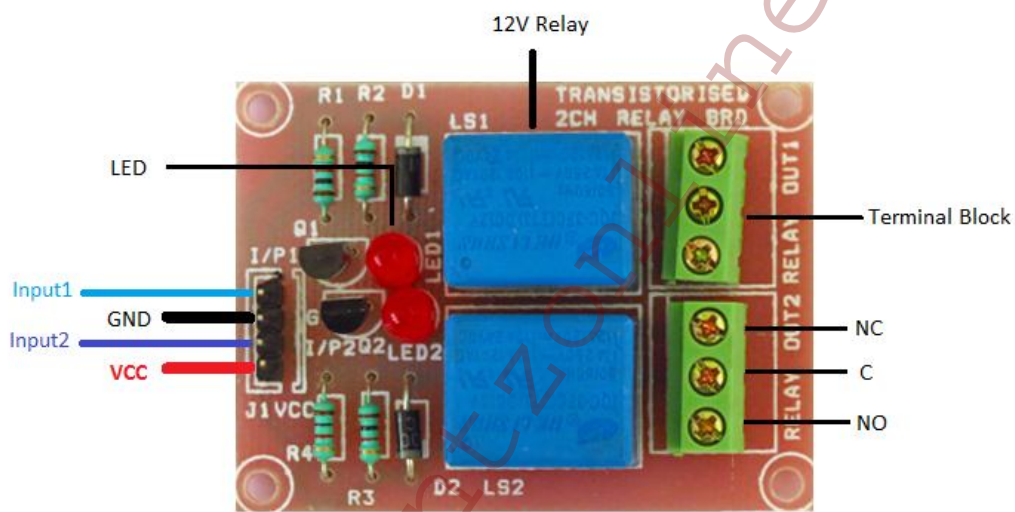


2 Channel 12V Relay Board



- Connect VCC to 12V.
- Input1 & Input2 are the control signals used to control the relay.
- If input is high(5V) , then connection is between C (Common) & NO (Normally Open), else connection is between C (Common) & NC (Normally Closed).
- If Input1 is high, LED1 glows and vice versa.