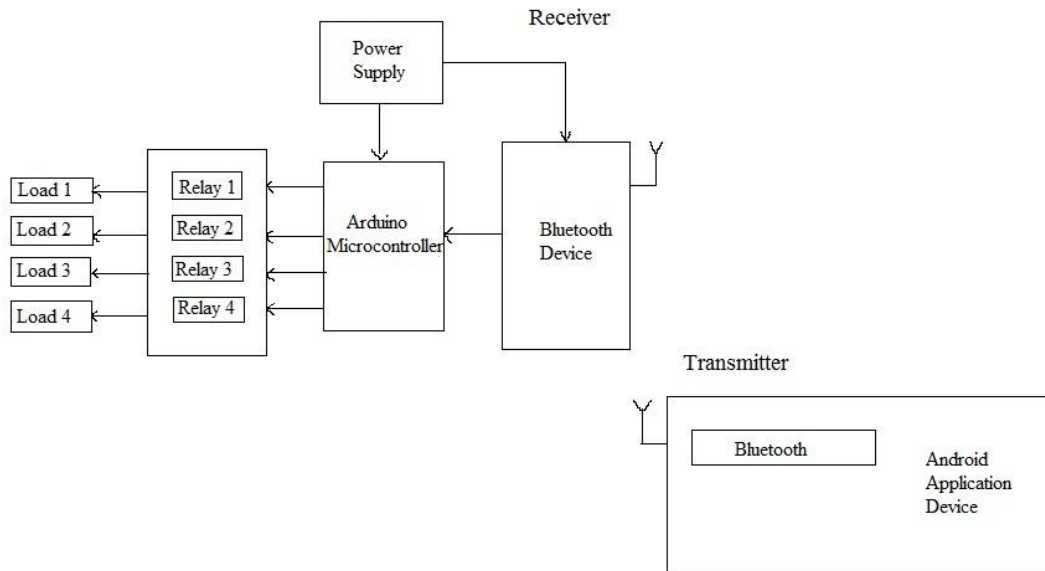


Abstract

Home automation is an emerging trend to make lives easier by controlling appliances, doors and windows remotely or in an automated way. Anything that can be connected to a network can be automated and controlled remotely. Several technologies converge to make this possible. With the arrival of smartphones there came an option to use smartphones as remote control devices.

This project uses voice commands to control home appliances. Bluetooth technology is used to transfer voice commands from the smartphone to the receiver side consisting of relays connected to the different appliances. A Bluetooth module is connected to the Arduino microcontroller at the receiver end.

Block Diagram



In this project, we can use a smartphone as an Android application device. The Bluetooth of the android phone is turned ON to wirelessly transfer voice commands to the Bluetooth module at receiving end. The Android phone has a voice application in it. The Bluetooth module converts the voice data to logical data and is used to signal the microcontroller to turn the respective appliances ON. Four appliances can be connected at maximum using four relays.